

 **burgess**
furniture

Tiani



“Blends aesthetic simplicity with comfort and durability”

Tiani is a collection designed by Simon Pengelly to provide a suite of multi-purpose chairs for the corporate and leisure contract markets, complimenting contemporary interiors.

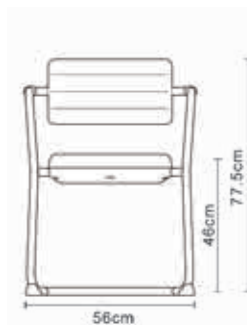
Featuring chrome plated steel frames and a cantilevered back which, with the ribbed upholstery, provides a flexible lumbar.

Available in leather or a wide selection of fabrics, all models feature a sprung webbed seat and leather covered arms, with the 02/1 and 02/2 incorporating a moulded plastic seatpan to allow seat stacking without marking.



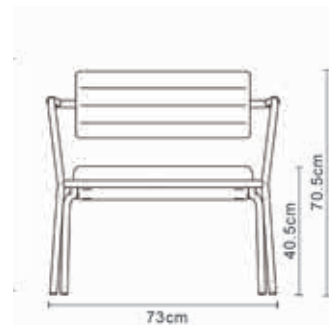
02/1

Depth 60cm
Weight 9.3kg



02/2

Depth 57cm
Weight 9.2kg





The Tiani range is ideal for reception and breakout areas



Cantilever chairs for boardrooms



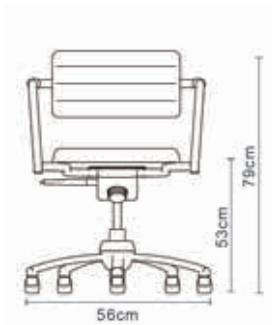
Cantilever chairs for meeting rooms



02/1 and 02/2 stack 5 high (stacking trolley available as an accessory for easy transportation)

02/3

Depth 67cm
Weight 12.5kg



02/4

Depth 57cm
Weight 15.6kg





BCFA Approved

The Tiani chair has been BCFA approved.



Made in Britain

We are proud to say that for over half a century we have made all our chairs and tables to exacting standards in our West London factory.



Environmental Policy

As a leading industrial enterprise, we recognise our responsibility to the environment and are committed to achieving best environmental practice.

To this end we actively ensure that the environmental impact all of our materials, processes and products is reduced as much as possible or eliminated. The company is certified to ISO 14001 as well as having membership to 'Club Green', the highly acclaimed initiative run by FIRA.

For more information visit our website:
www.burgessfurniture.com/environmental-policy.html

Burgess Furniture Ltd

Hanworth Trading Estate, Feltham, Middlesex TW13 6EH UK

Telephone +44 (0)20 8894 9231
Fax +44 (0)20 8894 2943

Email sales@burgessfurniture.com
Web www.burgessfurniture.com

The paper used for this brochure is made from 100% recycled material. Please recycle.



Strength test to
BS4875:2001 part 1 level 4
Stability Test to
BS7945:1999
Report No: TSSEF15194/5



ISO 9001:2008

Quality
Management



ISO 14001:2004

Environmental
Management



follow us on:



Issue date: July 2013